

DL24°50PYC

垂直摇臂式灌溉喷枪

/Vertical swing arm type irrigation spray gun



Product features

- ◎ Full automatic slow-speed rotating mechanical device ensures the height of spraying area is even.
- ◎ Special driving power design, provide perfect atomization spray.
- ◎ Adopt special material and reinforced sealing structure, make the life longer.
- ◎ No blocking dc transmission device design, the wind weather spray precipitation is also excellent.
- ◎ Full circle or fan spray, maximum meet all kinds of spray requirements.
- ◎ A variety of nozzle selection, to meet the needs of various spraying site.

The performance parameters

- ◎ Nominal diameter of water inlet: 50mm
- ◎ Nozzle diameter: 14-30mm
- ◎ Working pressure: 3.0-8.0bar
- ◎ Product flow: 15.5-84.0m³/h
- ◎ Product range: 27.9-56m
- ◎ Interface: flange interface
- ◎ Nozzle inclination Angle: 24°
- ◎ Weight of the product: 8kg
- ◎ Product specification: 80*18*20cm

Model	Joint type	Nozzle diameter ϕ (mm)	Working pressure P (bar)	Nozzle flow Q (m ³ /h)	Spray range R (m)	Spray irrigation intensity Ps (mm/h)	Nozzle elevation X (°)
50PYC	Flange connection	16.0	3.0-8.0	15.5-20.0	30.0-39.0	5.5-4.6	24
		18.0	3.0-8.0	19.7-27.8	32.0-41.0	6.1-5.3	
		20.0	3.0-8.0	26.2-34.3	36.0-44.0	6.5-5.6	
		22.0	3.0-8.0	32.2-45.0	38.0-49.0	7.1-6.0	
		24.0	3.0-8.0	43.8-53.6	42.0-51.0	7.9-6.6	
		26.0	3.0-8.0	51.4-62.9	44.0-53.0	8.5-7.1	
		28.0	3.0-8.0	59.6-73.0	46.0-55.0	9.0-7.7	

DL24°50PYC 垂直摇臂式灌溉喷枪

/Vertical swing arm type irrigation spray gun



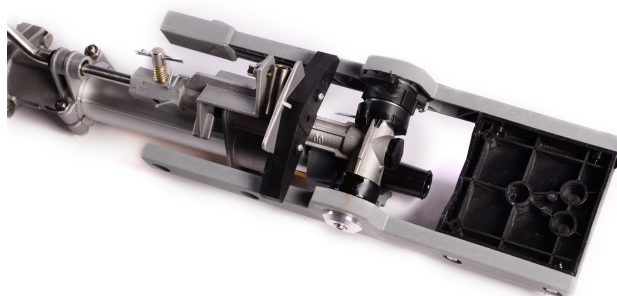
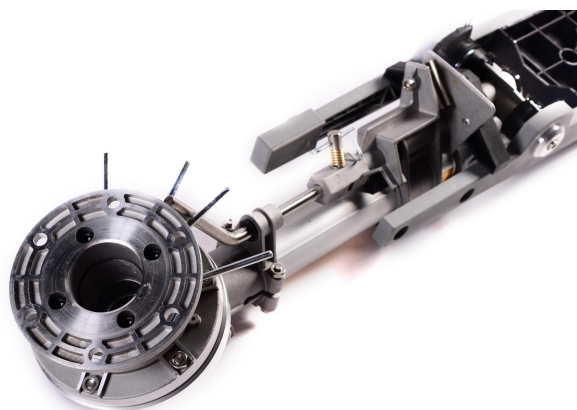
DL24°50PYC vertical rocker arm irrigation spray gun adopts the form of double rocker arm. The vertical rocker arm is equipped with a two-way guide plate, which rotates forward and backward through the action of water flow to different directions of the two-way guide plate, so as to realize a continuous spraying mode that can be sprayed normally both in the positive direction and in the negative direction.

The spray gun has a long spray distance, and the rotation Angle of the spray gun can be adjusted at will from 0° to 360°. In the process of spraying, the spray gun can rotate smoothly and automatically without manual intervention.

The rotating mechanism of 50PYC vertical rocker arm irrigation spray gun is a unique plane bearing form, and the friction brake pair is used to control the rotating speed of the spray gun smoothly.

The 50PYC vertical rocker arm spray gun is free of lubrication during the operation, so that the 50PYC vertical rocker arm spray gun can meet the requirements of flexible rotation and greatly extend the service life. In addition, the 50PYC vertical rocker arm irrigation spray gun can achieve excellent spray atomization effect under low water pressure, thus greatly reducing the energy cost.

The products are mainly used for water-saving irrigation, industrial and agricultural drainage, grassland irrigation, landscaping.



DL24°50PYC /Vertical swing arm (lengthening) irrigation spray gun 垂直摇臂式 (加长) 灌溉喷枪

Product features

- ◎ Full automatic slow-speed rotating mechanical device ensures the height of spraying area is even.
- ◎ Special driving power design, provide perfect atomization spray.
- ◎ Adopt special material and reinforced sealing structure, make the life longer.
- ◎ No blocking dc transmission device design, the wind weather spray precipitation is also excellent.
- ◎ Full circle or fan spray, maximum meet all kinds of spray requirements.
- ◎ A variety of nozzle selection, to meet the needs of various spraying site.

The performance parameters

- ◎ Nominal diameter of water inlet: 50mm
- ◎ Nozzle diameter: 14~30mm
- ◎ Working pressure: 3.0~8.0bar
- ◎ Product flow: 17.0~91.5m³/h
- ◎ Product range: 32.6~63.1m
- ◎ Interface: flange interface
- ◎ Nozzle inclination Angle: 24°
- ◎ Weight of product: 10kg
- ◎ Product specification: 95*18*20cm



Press-ure bar	Nozzle diameter φ 16 (mm)		Nozzle diameter φ 18 (mm)		Nozzle diameter φ 20 (mm)		Nozzle diameter φ 22 (mm)		Nozzle diameter φ 24 (mm)		Nozzle diameter φ 26 (mm)		Nozzle diameter φ 28 (mm)		Nozzle diameter φ 30 (mm)	
	Flow m ³ /h	Range m	Flow m ³ /h	Range m	Flow m ³ /h	Range m	Flow m ³ /h	Range m	Flow m ³ /h	Range m	Flow m ³ /h	Range m	Flow m ³ /h	Range m	Flow m ³ /h	Range m
3.0	17.0	32.6	21.6	34.7	25.6	36.7	32.2	38.7	38.3	40.5	45.0	42.3	52.2	44.0	59.9	45.7
3.5	18.4	34.5	23.3	36.8	28.7	38.9	34.8	41.0	41.4	43.0	48.6	44.9	56.3	46.7	64.7	48.5
4.0	19.7	36.3	24.9	38.7	30.7	41.0	37.2	43.1	44.3	45.2	51.9	47.2	60.2	49.1	69.1	51.0
4.5	20.9	38.0	26.4	40.5	32.6	42.8	39.4	45.1	46.9	47.3	55.1	49.4	63.9	51.4	73.3	53.3
5.0	22.0	39.5	27.8	42.1	34.4	44.6	41.6	46.9	49.5	49.2	58.1	51.4	67.3	53.5	77.3	55.5
5.5	23.1	41.0	29.2	43.7	36.0	46.2	43.6	48.7	51.9	51.0	60.9	53.3	70.6	55.4	81.1	57.5
6.0	24.1	42.4	30.5	45.1	37.6	47.8	45.5	50.3	54.2	52.7	63.6	55.1	73.8	57.3	84.7	59.5
6.5	25.1	43.6	31.7	46.5	39.2	49.3	47.4	51.9	56.4	54.4	66.2	56.8	76.8	59.1	88.1	61.3
7.0	26.0	44.9	32.9	47.9	40.7	50.7	49.2	53.3	58.5	55.9	68.7	58.4	79.7	60.8	91.5	63.1

DL24°50PYC /Vertical swing arm (lengthening) irrigation spray gun 垂直摇臂式（加长）灌溉喷枪

DL24°50PYC vertical rocker arm (extended) irrigation spray gun adopts the form of double rocker arm. The vertical rocker arm is equipped with a two-way deflector plate, which rotates forward and backward through the action of water flow to different directions of the two-way deflector plate, so as to realize a continuous spraying mode that can spray normally both forward and reverse. The spray gun has a long spray distance and can adjust the rotation Angle of the spray gun at will from 0° to 360°.

It can completely automatically and smoothly rotate the jet during the spray process without manual intervention. The rotating mechanism of 50PYC vertical rocker arm irrigation spray gun is a unique plane bearing form, and the friction brake pair is used to control the rotating speed of the spray gun smoothly. The 50PYC vertical rocker arm spray gun is free of lubrication during the operation, so that the 50PYC vertical rocker arm spray gun can meet the requirements of flexible rotation and greatly extend the service life.

In addition, the 50PYC vertical rocker arm irrigation spray gun can achieve excellent spray atomization effect under low water pressure, thus greatly reducing the energy cost. Products are mainly used for agricultural irrigation, industrial and agricultural drainage, grassland irrigation, landscaping.



DL44°50PYC

垂直摇臂式除尘喷枪

/Vertical swing arm type irrigation spray gun



Product features

- ◎ Full automatic slow rotation mechanical device, ensure the dust region height uniform.
- ◎ Special driving power design, high atomization and dust removal effect.
- ◎ Adopt special material and reinforced sealing structure, make the life longer.
- ◎ No blocking dc transmission device design, spray dust is also excellent in windy weather.
- ◎ Full circle or fan spray, maximum to meet the needs of various spray operations.
- ◎ A variety of nozzle selection, to adapt to the changing dust field requirements.

The performance parameters

- ◎ Nominal diameter of water inlet: 50mm
- ◎ Nozzle diameter: 14-30mm
- ◎ Working pressure: 3.0-8.0bar
- ◎ Flow: 17.5-86.4m³/h
- ◎ Range: 28-58.4m
- ◎ Shooting height: 11.7~26.5m
- ◎ Interface: flange interface
- ◎ Nozzle inclination Angle: 44°
- ◎ Weight of the product: 8kg
- ◎ Product specification: 80*18*20cm

Press-ure bar	Nozzle diameter φ 16 (mm)			Nozzle diameter φ 18 (mm)			Nozzle diameter φ 20 (mm)			Nozzle diameter φ 22 (mm)			Nozzle diameter φ 24 (mm)			Nozzle diameter φ 26 (mm)		
	Flow m ³ /h	Range m	High m	Flow m ³ /h	Range m	High m	Flow m ³ /h	Range m	High m	Flow m ³ /h	Range m	High m	Flow m ³ /h	Range m	High m	Flow m ³ /h	Range m	High m
3.0	17.0	31.0	11.7	21.6	33.0	11.5	25.6	35.0	12.0	32.2	37.5	12.3	38.3	39.5	12.7	41.1	41.5	13.0
4.0	19.7	34.0	13.5	24.9	36.0	14.0	30.7	38.5	14.5	37.2	41.0	15.0	44.3	43.0	15.5	51.9	45.0	16.0
5.0	22.0	36.0	15.0	27.8	39.0	16.0	34.4	41.0	16.5	41.6	43.5	17.0	49.5	45.5	18.0	58.1	47.5	19.0
6.0	24.1	38.5	16.5	30.5	41.0	17.5	37.6	43.5	18.0	45.5	45.5	19.0	54.2	47.5	20.5	63.6	50.0	21.0
7.0	26.0	40.5	17.5	32.9	43.0	18.5	40.7	45.5	19.5	49.2	47.5	20.5	58.5	49.5	22.0	68.7	52.0	23.0
8.0	27.8	42.0	19.0	35.2	45.0	20.0	43.5	47.5	21.0	52.6	49.5	22.0	62.6	51.5	24.0	73.5	54.0	25.0

DL44°50PYC 垂直摇臂式除尘喷枪

/Vertical swing arm type irrigation spray gun



DL44 ° 50 pyc vertical arm type dusting spray gun is my company introduction of foreign technology and design and production of a big gun, in order to suit dustproof requirements of long-range high-lift pump spray gun, the spray gun spray distance, can be 0 ° and 360 ° adjust gun rotation Angle, fully automatic steady rotating in the process of injection, without human intervention.

Widely used in dust serious coal tar chemical industrial enterprises, such as coal, power plant, the railway freight yard, coal mine, coal, steel mills, stocking yard, coal yard, ore yard and coal transport trucks, such as sprinkler spray dust, spray dust, industrial dust, dust control, coal dust, coal dust prevention system in areas such as storage, can fully satisfy the mine, wharf, ash plant dust control requirements.

DELONG
德龙灌排



DL44°50PYC / Vertical rocker arm (lengthening) dust-removing gun 垂直摇臂式（加长）除尘喷枪

Product features

- ◎ Full automatic slow rotation mechanical device, ensure the dust region height uniform.
- ◎ Special driving power design, atomized dust removal effect is much higher than 50PYC dust removal gun.
- ◎ Adopt special material and reinforced sealing structure, make the life longer.
- ◎ No blocking dc transmission device design, spray dust is also excellent in windy weather.
- ◎ Full circle or fan spray, maximum to meet the needs of various spray operations.
- ◎ A variety of nozzle selection, to adapt to the changing dust field requirements.

The performance parameters

- ◎ Nominal diameter of water inlet: 50mm
- ◎ Nozzle diameter: 14-30mm
- ◎ Working pressure: 3.0-8.0bar
- ◎ Flow: 21.6-111.8m³/h
- ◎ Range: 35-63.9m
- ◎ Shooting height: 12.2-28.5m
- ◎ Interface: flange interface
- ◎ Nozzle inclination Angle: 44°
- ◎ Weight of product: 10kg
- ◎ Product specification: 95*18*20cm



Press-ur bar	Nozzle diameter ϕ 18 (mm)			Nozzle diameter ϕ 20 (mm)			Nozzle diameter ϕ 22 (mm)			Nozzle diameter ϕ 24 (mm)			Nozzle diameter ϕ 26 (mm)			Nozzle diameter ϕ 28 (mm)			Nozzle diameter ϕ 30 (mm)		
	Flow m ³ /h	Range m	High m	Flow m ³ /h	Range m	High m	Flow m ³ /h	Range m	High m	Flow m ³ /h	Range m	High m	Flow m ³ /h	Range m	High m	Flow m ³ /h	Range m	High m	Flow m ³ /h	Range m	High m
3.0	25.6	37.0	13.0	32.2	39.5	13.1	38.3	41.5	13.2	41.1	43.5	13.4	52.2	45.0	13.7	59.9	47.5	14.0	68.1	51.3	14.1
4.0	30.7	40.5	15.5	37.2	43.0	16.0	44.3	45.0	16.5	51.9	47.0	17.0	60.2	49.5	17.5	69.1	51.5	18.0	78.7	55.2	18.5
5.0	34.4	43.0	17.5	41.6	45.5	18.0	49.5	47.5	19.0	58.1	49.5	20.0	67.3	52.5	20.5	77.3	54.5	21.5	88.0	57.8	22.0
6.0	37.6	45.5	19.0	45.5	47.5	20.0	54.2	49.5	21.5	63.6	52.0	22.5	73.8	55.0	23.0	84.7	57.0	23.5	96.4	60.0	24.0
7.0	40.7	47.5	20.5	49.2	49.5	21.5	58.5	51.5	23.0	68.7	54.0	24.0	79.7	57.5	25.0	91.5	59.5	26.0	104.1	62.5	27.0
8.0	43.5	49.5	22.0	52.6	51.5	23.0	62.6	53.5	24.5	73.5	56.0	26.0	85.2	59.0	26.5	97.8	61.5	27.5	111.3	63.9	28.5

DL44°50PYC / Vertical rocker arm (lengthening) dust-removing gun 垂直摇臂式（加长）除尘喷枪

DL44°50pyc vertical rocker arm (lengthened) dusting spray gun is my company introduction of foreign technology and design and production of a big gun, in order to suit dustproof requirements of long-range high-lift pump spray gun, the spray gun spray distance, can be 0° and 360° adjust gun rotation Angle, fully automatic steady rotating in the process of injection, without human intervention. Extensive should be used in dust serious coal tar chemical industrial enterprises, such as coal, power plant, the railway freight yard, coal mine, coal, steel mills, stocking yard, coal yard, ore yard and coal transport trucks, sprinkle water spray dust, spray dust, industrial dust, dust control, coal dust, coal dust prevention system in areas such as storage, can fully satisfy the mine, wharf, ash plant dust control requirements.

DELONG
德龙灌排



DELONG
德龙灌排



DLS50

垂直摇臂式喷枪

/Elevation Angle adjustable vertical arm spray gun

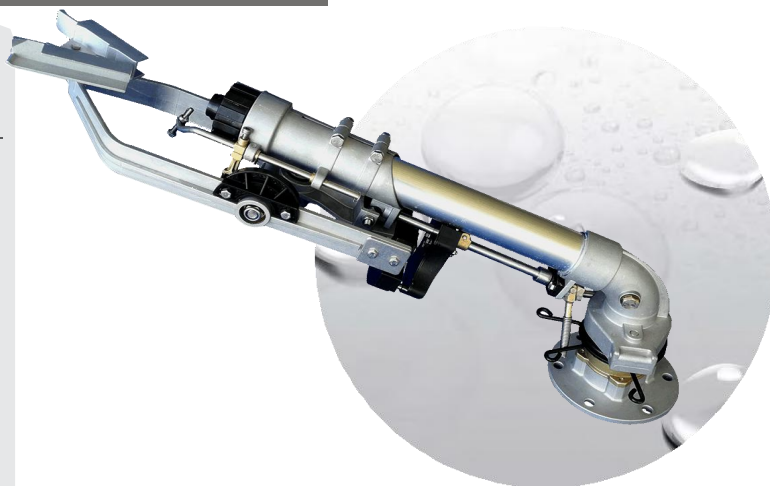


Product features

- © Full automatic slow-speed rotating mechanical device ensures the height of spraying area is even.
- © Multiple gear adjustment, double inlet design (flange interface, internal thread interface).
- © Special adjustable water crusher design, atomized dust, dust effect greatly improved.
- © Adopt special material and reinforced sealing structure, make the life longer.
- © No blocking dc transmission device design, spray dust is also excellent in windy weather.
- © Full circle or fan spray, maximum to meet the needs of various spray operations.
- © A variety of nozzle selection, to adapt to the changing needs of the spraying site.

The performance parameters

- © Nominal diameter of water inlet: 50mm
- © Nozzle diameter: 14mm-30mm
- © Working pressure: 3-8bar
- © Flow: 13m³/h-82m³/h
- © Range: 29-57m
- © Interface: flange interface, internal thread interface
- © Jet elevation: 24°
- © Weight of the product: 6kg
- © Product specification: 87*25*24cm



U Nozzle diameter	P pressure	G Range	Q Flow
m m	kg/cm ²	m	m ³ /h
14	3	29	12.7
	4	32	14.7
	5	35.5	16.5
16	3	30.5	16.4
	4	34.5	19.2
	5	37.5	21.3
18	3	32	21.0
	4	36.5	24.2
	5	40	27.1
20	3	33	25.9
	4	37.5	30.0
	5	41	33.6
	6	44.5	36.8
22	3	34	31.3
	4	39.5	36.2
	5	43.5	40.5
	6	47.5	44.4
24	4	40.5	43.2
	5	45.5	48.3
	6	49.5	52.9
	7	52	57.1

DLS50 垂直摇臂式喷枪

/Elevation Angle adjustable vertical arm spray gun



DLS50 vertical rocker arm spray gun is a medium and large flow spray gun introduced by our company and designed and produced by ourselves. The spray rotation Angle of the spray gun is adjusted at will according to 0°-360°.New operating theory, prevent vibration and rebound to ensure safe work.

Suitable for large and medium-sized capstan sprinkler and large pointer sprinkler tail gun matching, large area irrigation process, storage yard spray dust, stadium and pasture sprinkler irrigation. It is also very suitable for industrial dust suppression and dustproof, especially for storage yards with special requirements for jet height. Its pressure resistance, sealing performance and stable and reliable operation can meet the requirements of spraying, with a variety of different specifications of nozzle, can be full of different soil, terrain, crops, environmental needs.



DLS50 / Elevation Angle adjustable (lengthened) vertical swing arm spray gun (加长)垂直摇臂式喷枪



U The nozzle diameter	P Pressure	G Range	Q Flow
m m	kg/cm ²	m	m ³ /h
20	3	37	31.3
	4	41	36.2
	5	45	40.5
	6	48	44.4
22	3	38	37.3
	4	43	43.2
	5	47	48.3
	6	50	52.9
24	3	42	43.9
	4	47	50.7
	5	52	56.7
	6	55	62.2
26	3	44	50.9
	4	51	58.8
	5	56	65.7
	6	58	72.1
28	3	46	58.4
	4	52	67.6
	5	57	75.6
	6	60	82.8
30	4	53	76.9
	5	58	85.9
	6	62	94.2
	7	65	101.6

产品特点/Product features

- ◎Full automatic slow rotating mechanical device ensures uniform height of spraying area.
- ◎Multiple gear adjustment, double inlet design (flange interface, internal thread interface).
- ◎Special adjustable water crusher design, atomized dust, dust effect greatly improved.
- ◎Adopt special material and reinforced sealing structure, make the life longer.
- ◎No blocking dc transmission device design, spray dust is also excellent in windy weather.
- ◎Full circle or fan spray, maximum to meet the needs of various spray operations.
- ◎A variety of nozzles are selected to meet the changing requirements of the spraying field.

性能参数/The performance parameters

- ◎Inlet nominal diameter: 50mm
- ◎The nozzle diameter: 14mm-30mm
- ◎Pressure of work: 3-8bar
- ◎Flow: 15.9m³/h-101.6m³/h
- ◎Range: 29-65m
- ◎The interface way: Flange connection, internal thread connection
- ◎Jet Angle: 24°
- ◎The product weight: 7kg
- ◎Product specification: 105*25*24cm

DLS50 / Elevation Angle adjustable (lengthened) vertical swing arm spray gun (加长)垂直摇臂式喷枪

DLS50 (lengthening) vertical rocker arm spray gun is a medium and large flow spray gun introduced by our company and designed and produced by ourselves. The spray rotation Angle of the spray gun is adjusted at will according to 0° -360° .New operating theory, prevent vibration and rebound to ensure safe work.Suitable for large and medium-sized capstan sprinkler and large pointer sprinkler tail gun matching, large area irrigation projects, storage-spraying dust, stadium and pasture sprinkler irrigation.It is also very suitable for industrial dust suppression and dustproof, especially for storage yards with special requirements for jet height.Its pressure resistance, sealing performance and stable and reliable operation can meet the requirements of spraying, with a variety of different specifications of nozzle, can meet the needs of different soil, terrain, crops, environment.

DELONG
德龙灌排



DLW-40

涡轮蜗杆式喷枪 / Turbo-rod spray gun

U The nozzle diameter	P Pressure	G Range	Q Flow	
			I/min	m ³ /h
m m	kg/cm ²	m		
16	2	26	257	15.4
	3	29	315	18.9
	4	32	364	21.8
	5	35	406	24.3
18	2	28	318	19.0
	3	31	404	24.2
	4	34	471	28.3
	5	37	521	31.3
20	2	30	354	21.2
	3	33	490	29.4
	4	37	571	34.3
	5	41	617	37.0
22	2	29	411	24.6
	3	34	520	31.2
	4	38	606	36.3
	5	43	657	39.4



性能参数 / The performance parameters

- ◎ Inlet nominal diameter: 40mm
- ◎ The nozzle diameter: 16mm-22mm
- ◎ Pressure of work: 2-5bar
- ◎ Flow: 9.5m³/h-37.9m³/h
- ◎ Range: 22-41m
- ◎ The interface way: 1 1/2 thread connection
- ◎ Nozzle Angle: 24°
- ◎ The product weight: 4.2kg
- ◎ Product specification: 54*15*27cm

DLW-40

涡轮蜗杆式喷枪 /Turbo-rod spray gun



Dlw-40 spray gun is suitable for agricultural irrigation and mining dust removal. The popularization of water-saving irrigation technology is one of the main ways to solve the problem of agricultural water shortage and ensure the stable and high yield of grain.

Dlw-40 sprinkler spray gun can be used for large and medium disc sprinkler, also can be used with large pointer sprinkler tail gun. Large-scale irrigation projects, water spraying and dust removal in storage yards, stadium irrigation, power plants, ports, docks, railway freight yards, coal and coke chemical fields and other industrial enterprises can effectively remove dust and dust, greatly reducing PM2.5. This product is equipped with a variety of nozzles of different diameters, the flow can be realized from 9.5m³/h--37.9m³/h operating pressure 0.2mpa -- 0.5mpa, range 22m-41m, suitable for different soil, terrain, crops and environmental needs.

The spray gun is made of copper alloy, aluminum alloy, engineering plastics, stainless steel and other corrosion-resistant materials. The spray gun can be fan-shaped or full-circle mode of uniform rotation, the gram adjusting water crusher can produce small and uniform water particles, with high strength, stable performance, widely used in industrial dust removal and agricultural irrigation.

DLW-50

涡轮蜗杆式喷枪 / Turbo-rod spray gun

U Nozzle diameter	P Pressure	G Range	Q Flow	
			kg/cm ²	m
20	3	36	520	31.2
	4	40	601	36
	5	43	673	40.3
	6	46	736	44
22	4	41	704	42.2
	4.5	43	748	44.8
	5	45	789	47.3
	6	48	864	51.8
24	3	42	800	45.4
	4	47	926	48
	5	51	1036	55.5
	6	54	1135	62.2
26	3	45	917	55
	4	49	1061	63.7
	5	52	1186	71.2
	6	55	1300	78
28	4	50	1207	72.4
	5	54	1350	81
	6	57	1479	88.7
	7	61	1594	95.6
30	4	52	1361	81.7
	5	56	1522	91.3
	6	59	1668	100
	7	62	1798	107.9



The performance parameters

- ◎ Inlet nominal diameter: 50mm
- ◎ The nozzle diameter: 16mm-30mm
- ◎ Working Pressure: 2-8bar
- ◎ Flow: 21m³/h-107.9m³/h
- ◎ Range: 20-50m
- ◎ The interface way: Flange connection
- ◎ Nozzle Angle: 23°
- ◎ The product weight: 8kg
- ◎ Product specification: 80*22*30cm

DLW-50

涡轮蜗杆式喷枪 / Turbo-rod spray gun

Dlw-50 turbo-rod type spray gun adopts turbo-rod type transmission, which can rotate forward and backward through water flow acting on different positions of the impeller, so as to realize the continuous spraying mode that can spray normally both forward and reverse. The spray gun has a long spray distance and can rotate evenly in a full circle or a partial circle. The rotation Angle of the spray gun can be adjusted at will from 0° to 360°.

In the process of spraying, the spray gun can rotate automatically, evenly and smoothly without manual intervention. The spray gun is equipped with a variety of nozzles of different specifications, and the adjustable water splitter can better produce small and even water particles. In addition, the dlw-50 turbo-rod gun can achieve excellent spray atomization effect under low water pressure, thus greatly reducing the energy cost.

Products are mainly used for agricultural irrigation, industrial and agricultural drainage and irrigation, landscaping meadows, large and medium-sized winch type sprinkler irrigation tail and large pointer gun matching and large irrigation works, water dumping ground dust removal, the stadium and farm irrigation, etc., the compression performance, sealing can run and even, stable, reliable, can meet the requirements of spraying, won't cause the loss of water, soil, fertilizer, is beneficial to the growth of crops, increased automation, led to the mechanization of agricultural production, industrial development.



DL80 /Elevation Angle adjustable vertical arm spray gun 仰角可调节垂直摇臂式喷枪



Product features

- ◎Full automatic slow rotating mechanical device ensures uniform height of spraying area.
- ◎Variable injection Angle, to meet the needs of a variety of environments and industries.
- ◎Special adjustable water crusher design, atomized dust, dust effect greatly improved.
- ◎Adopt special material and reinforced sealing structure, make the life longer.
- ◎No blocking dc transmission device design, spray dust is also excellent in windy weather.
- ◎Full circle or fan spray, maximum to meet the needs of various spray operations.
- ◎80mm water inlet, 123cm gun body length, larger flow, jet distance up to 78m.
- ◎A variety of nozzles of different diameters are suitable for the varied requirements of the spraying field.

The performance parameters

- ◎Inlet nominal diameter: 80mm
- ◎The nozzle diameter: 30mm-40mm
- ◎Working Pressure : 3-8bar
- ◎Working Flow: 58.4m³/h-170m³/h
- ◎Product Range: 48-78m
- ◎The interface way: The flange interface
- ◎Jet Angle: 16°-46°
- ◎The product weight: 13kg
- ◎Product specification: 113*25*27cm

DL80 /Elevation Angle adjustable vertical arm spray gun

仰角可调节垂直摇臂式喷枪

DL80 elevation adjustable vertical rocker type spray gun is a large-scale spray gun with large flow and long range and variable injection Angle designed by our company after introducing foreign technology. The spray rotation Angle of the spray gun can be adjusted at will according to 0°-360°.

New operating theory, prevent vibration and rebound to ensure safe work. Suitable for large and medium-sized capstan sprinkler and large pointer sprinkler tail gun matching, large area irrigation projects, storage yard spray dust, stadium and pasture sprinkler irrigation, spray Angle adjustable, especially suitable for windy areas, as well as low altitude flight and high voltage cable restricted areas.

It is also very suitable for industrial dust suppression and dustproof, especially for the stack with special requirements on the height of injection. Its pressure resistance, sealing performance and stable and reliable operation can meet the requirements of spraying, with a variety of different specifications of nozzle, can meet the needs of different soil, terrain, crops, environment.

U The nozzle diameter	P Pressure	G Range	Q Flow
m m	kg/cm ²	m	m ³ /h
30	3	48	58.4
	4	52	64.6
	5	56	75.6
	6	60	82.8
32	4	54	76.9
	5	58	85.9
	6	62	94.2
	7	66	101.6
34	5	59	97.1
	6	64	106.4
	7	68	114.8
	8	72	122.8
36	5	61	108.8
	6	66	119.3
	7	70	128.6
	8	74	137.7
38	5	63	121.3
	6	68	132.9
	7	72	143.4
	8	76	153.5
40	5	65	134.4
	6	69	147.3
	7	73	159.8
	8	78	170.0